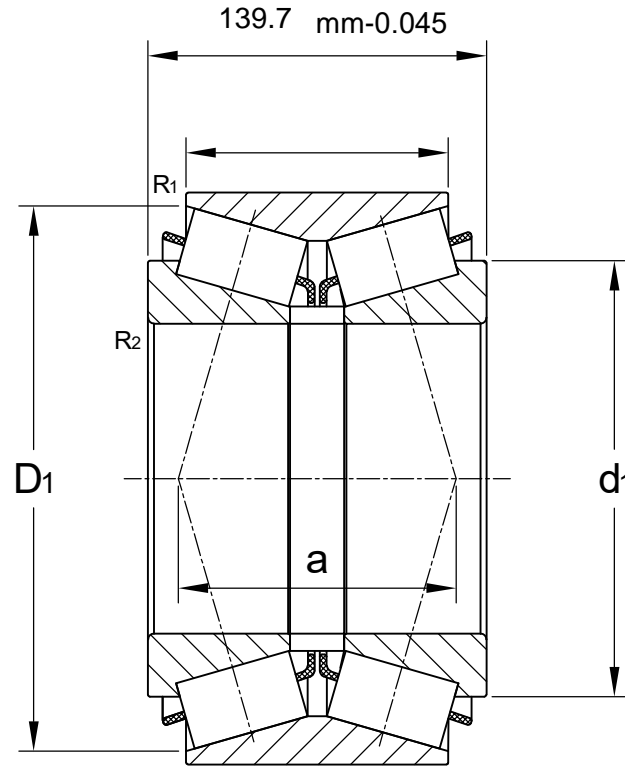
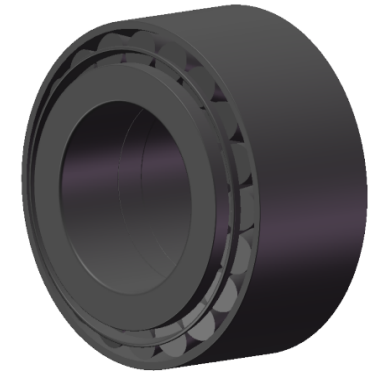


$\epsilon_m$  mm  
310  $\frac{5}{1}$  mm



LILY BEARING



- d1: 980 mm Dia Of Shaft Abutment
- a: 339 mm Distance Between Pressure Point
- R1: 3.3 mm Chamfer Dimension Of Outer Rin
- R2: 6.4 mm Chamfer Dimension Of Inner Ring

**LILY**<sup>®</sup>

SHANGHAI LILY BEARING LIMITED

Email: [lilybearing@lily-bearing.com](mailto:lilybearing@lily-bearing.com)

Part  
Number

BT2B-332501-HA5 Double row tapered roller bearin