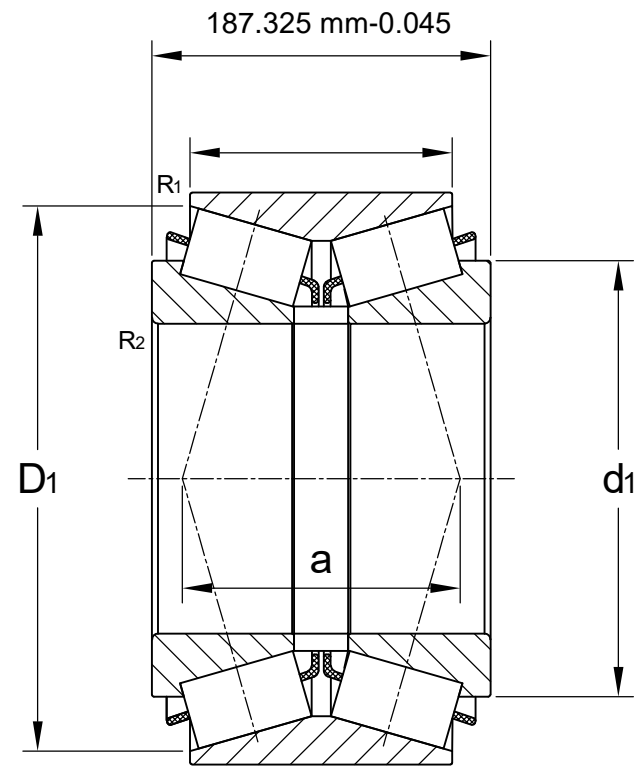
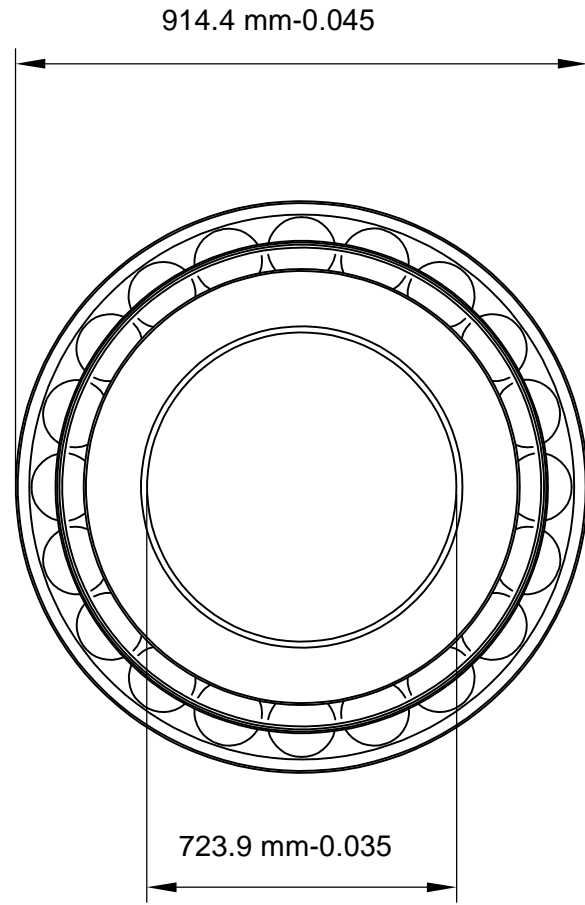
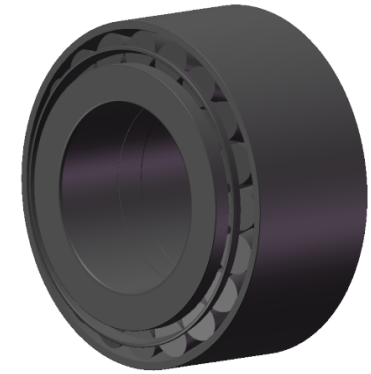


mm
310⁵mm



LILY BEARING

- d1: 798 mm Dia Of Shaft Abutment
- a: 293 mm Distance Between Pressure Point
- R1: 1.5 mm Chamfer Dimension Of Outer Rin
- R2: 3.3 mm Chamfer Dimension Of Inner Ring

	SHANGHAI LILY BEARING LIMITED Email: lilybearing@lily-bearing.com
	Part Number: BT2B-331554-B-HA1 Double row tapered roller bearin