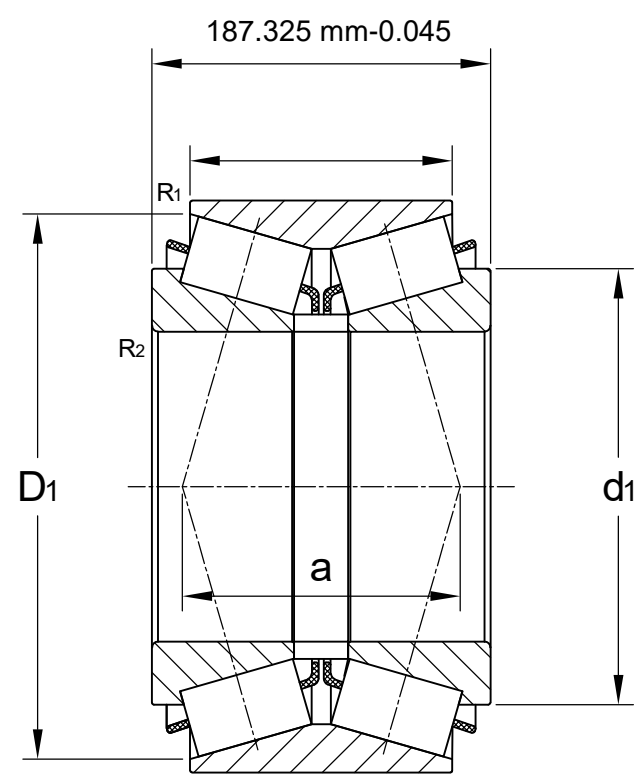
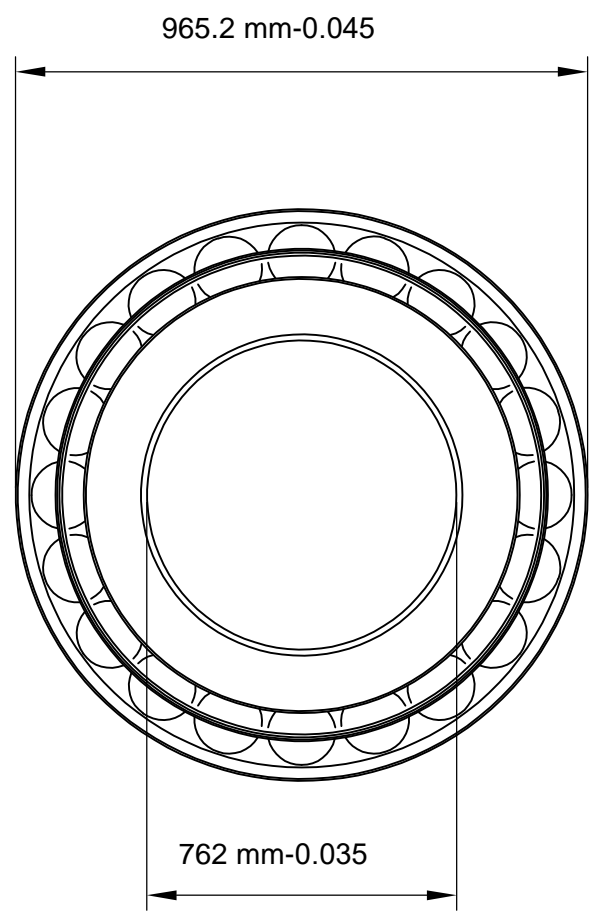
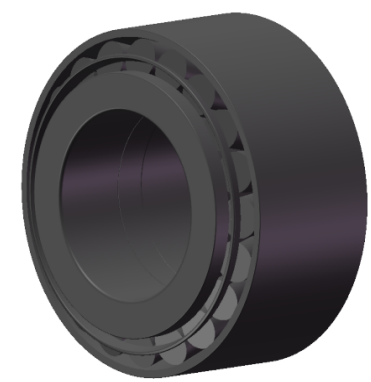


mm
310⁵mm



LILY BEARING

- d1: 853 mm Dia Of Shaft Abutment
- a: 316 mm Distance Between Pressure Point
- R1: 1.5 mm Chamfer Dimension Of Outer Rin
- R2: 6.4 mm Chamfer Dimension Of Inner Ring

LILY[®] SHANGHAI LILY BEARING LIMITED
Email: lilybearing@lily-bearing.com

Part Number 331780-A Double row tapered roller bearin