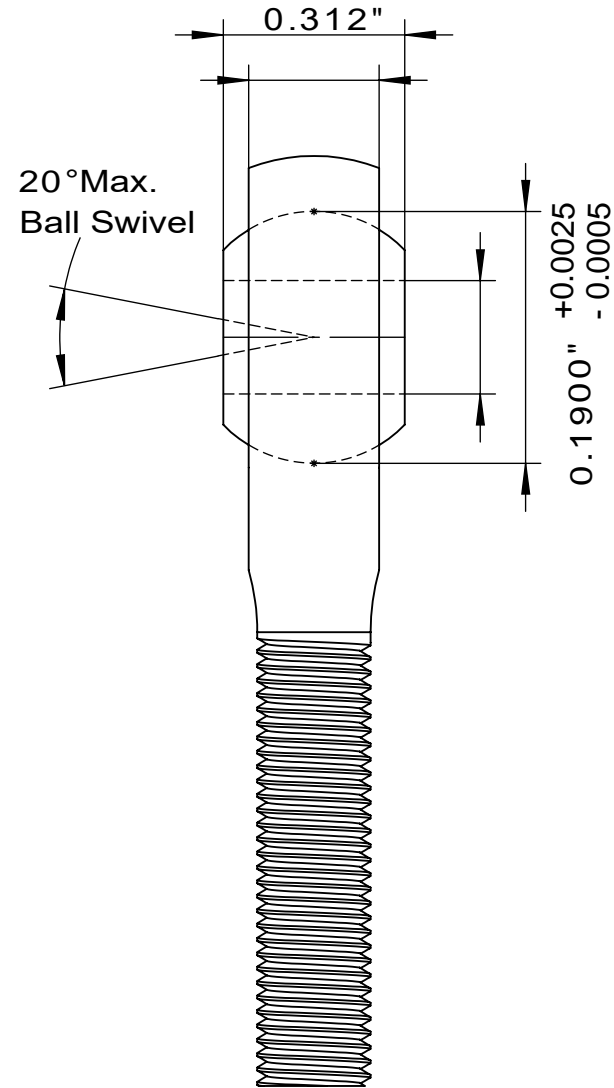
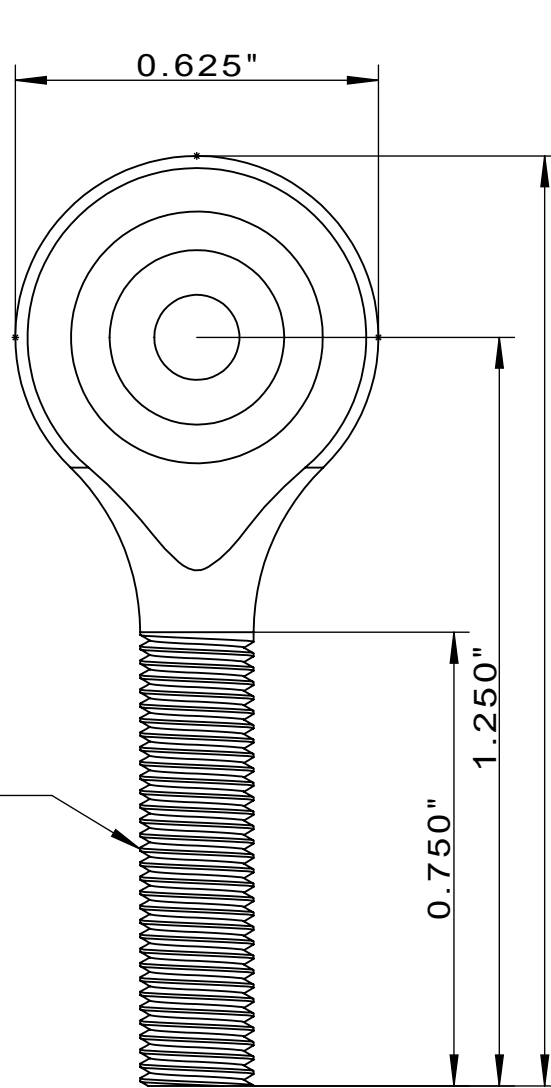


10-32



**LILY**<sup>®</sup>

SHANGHAI LILY BEARING LIMITED

Email: [lilybearing@lily-bearing.com](mailto:lilybearing@lily-bearing.com)

Part  
Number

59915K21  
Corrosion-Resistant Ball Joint Rod Ends