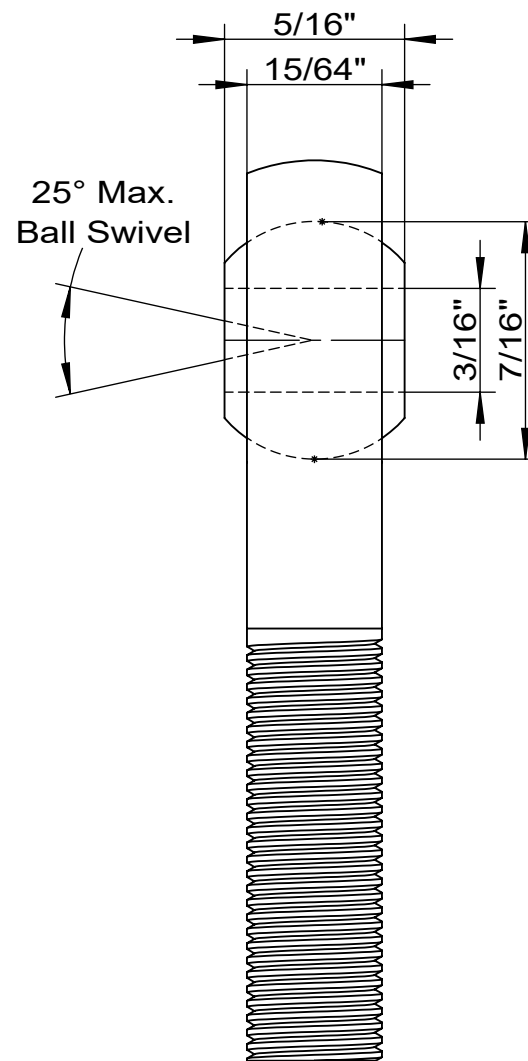
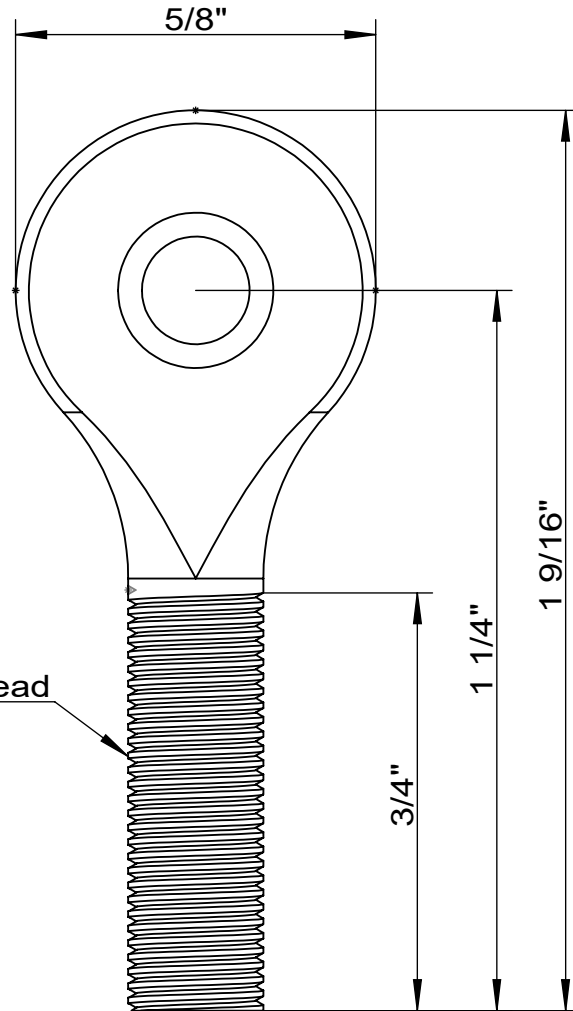


#10-32 Thread



LILY[®]

SHANGHAI LILY BEARING LIMITED

Email: lilybearing@lily-bearing.com

Part
Number

1064K511 Chemical-Resistant Ball Joint Rod Ends