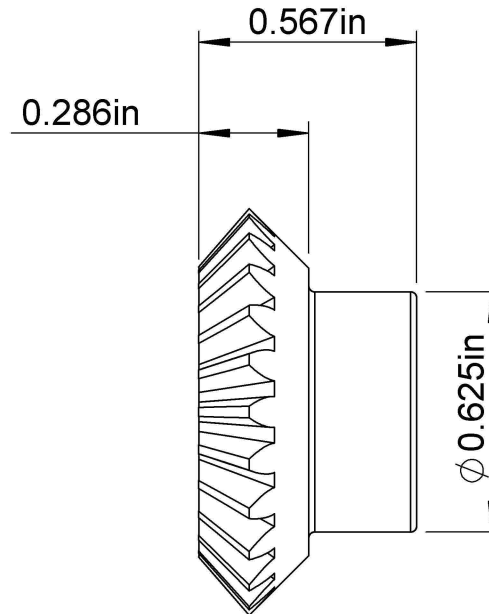
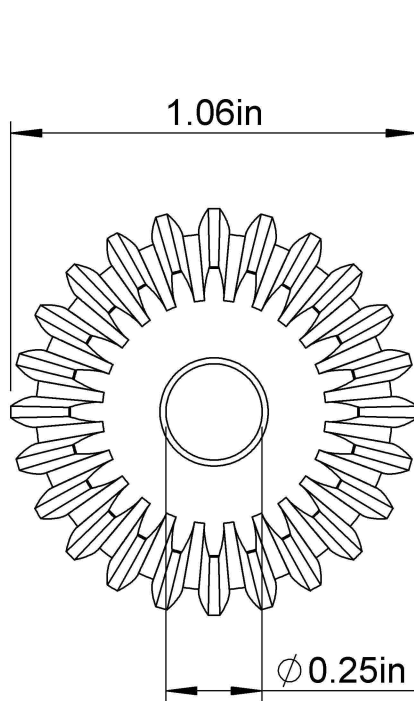
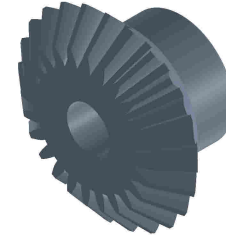


Pressure Angle: 20°

Pitch: 24

Teeth: 24

Diameter Pitch: 1



LILY[®]

SHANGHAI LILY BEARING LIMITED
Email: lilybearing@lily-bearing.com

Part
Number

M2424 GEAR MITER
Gears