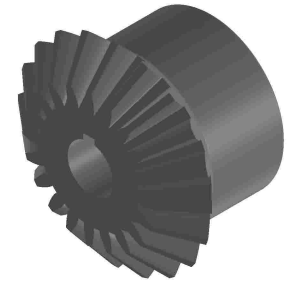
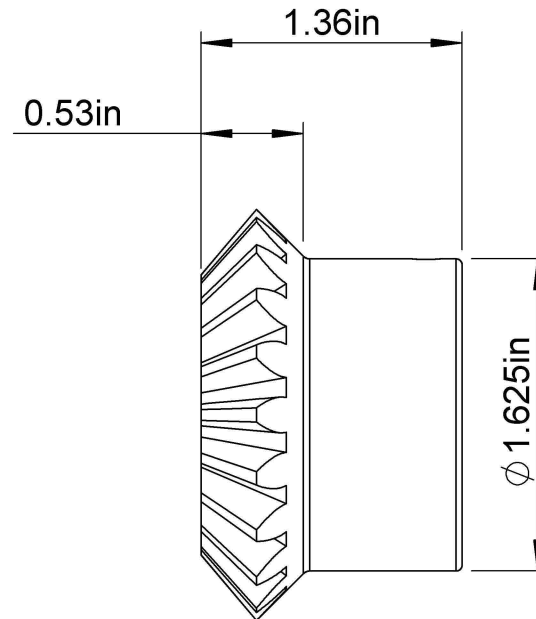
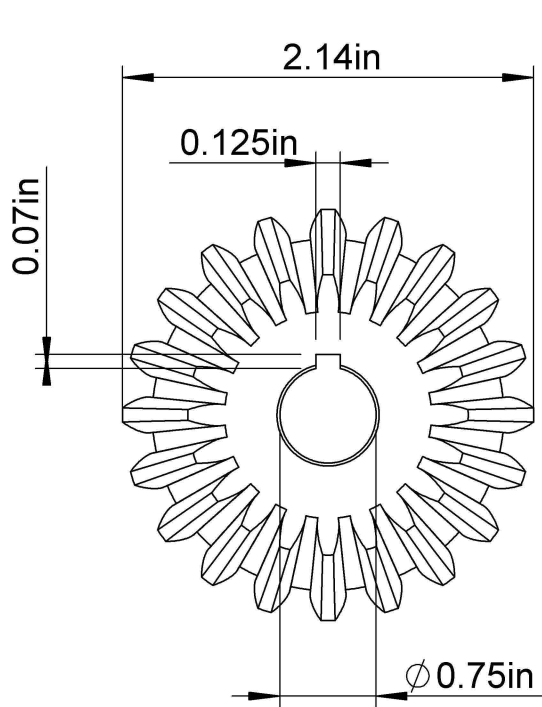


Pressure Angle: 20°

Pitch: 10

Teeth: 20

Diameter Pitch: 2



**LILY**<sup>®</sup>

SHANGHAI LILY BEARING LIMITED  
Email: [lilybearing@lily-bearing.com](mailto:lilybearing@lily-bearing.com)

Part  
Number

HMK1020 GEAR MITER  
Gears