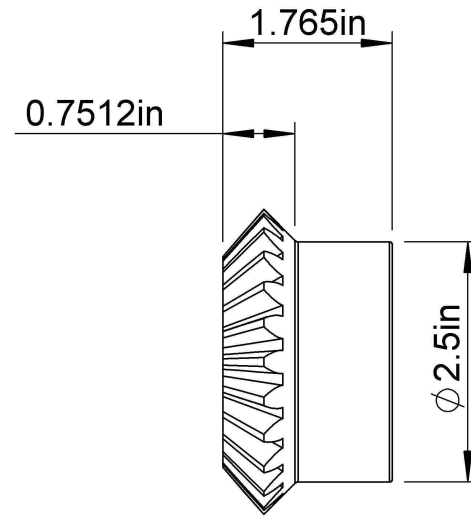
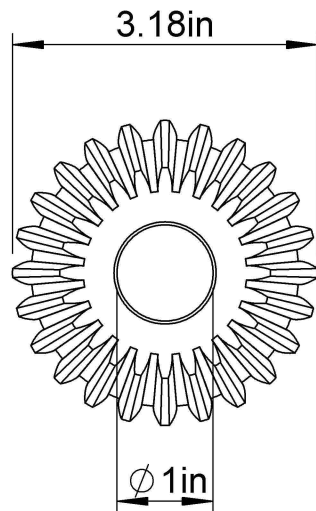
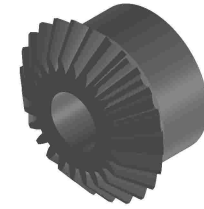


Pressure Angle: 20°

Pitch: 8

Teeth: 24

Diameter Pitch: 3



**LILY**<sup>®</sup>

SHANGHAI LILY BEARING LIMITED  
Email: [lilybearing@lily-bearing.com](mailto:lilybearing@lily-bearing.com)

Part  
Number

HM824A GEAR MITER  
Gears