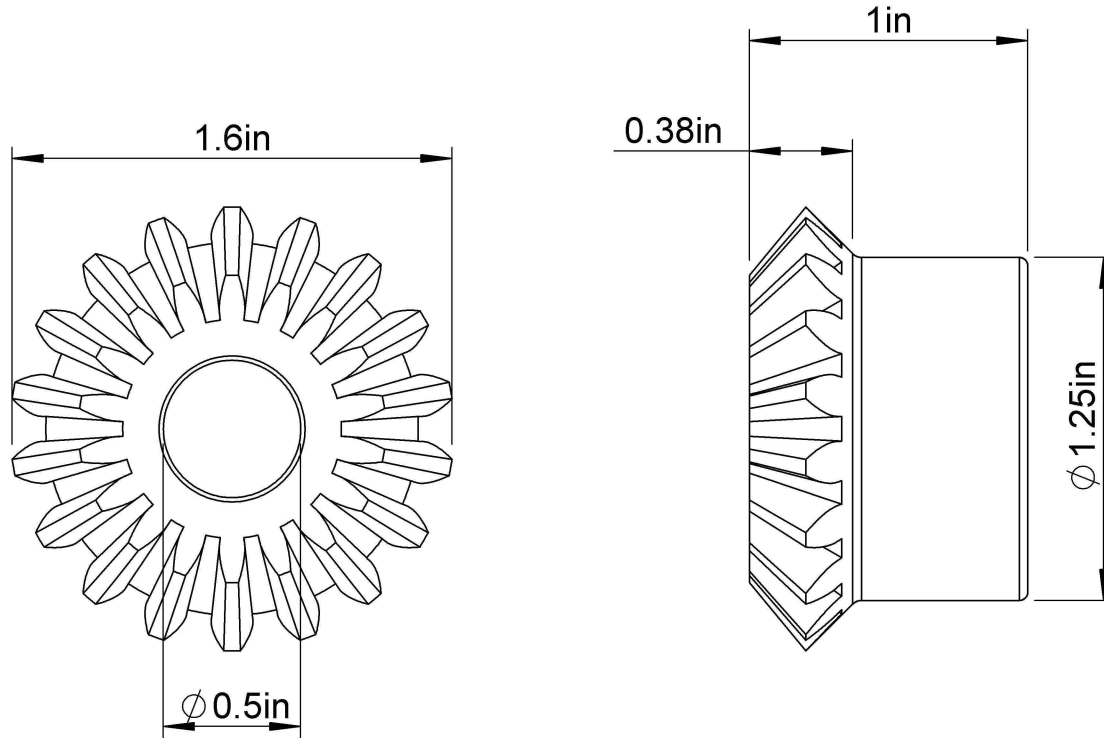
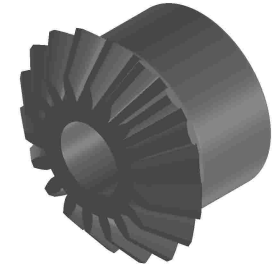


Pressure Angle: 20°
Pitch: 12
Teeth: 18
Diameter Pitch: 1.5



LILY[®]

SHANGHAI LILY BEARING LIMITED
Email: lilybearing@lily-bearing.com

Part
Number

HM1218 GEAR MITER
Gears