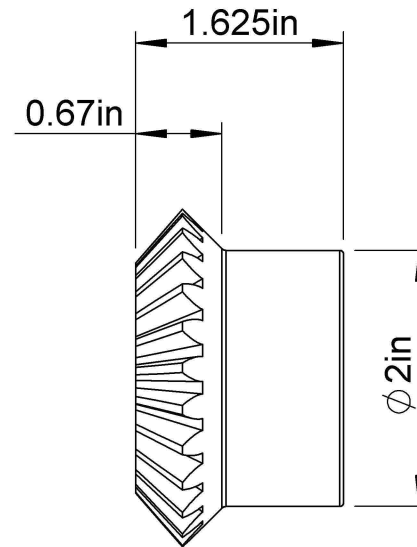
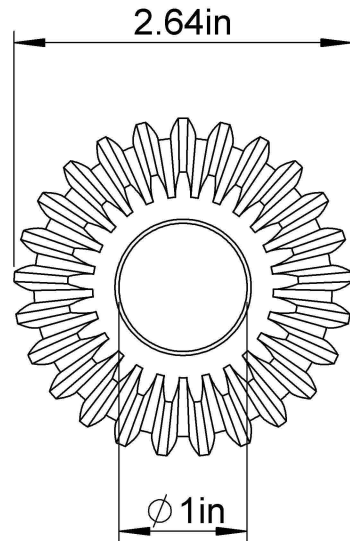


Pressure Angle: 20°  
Pitch: 10  
Teeth: 25  
Diameter Pitch: 2.5



**LILY**<sup>®</sup>

SHANGHAI LILY BEARING LIMITED  
Email: [lilybearing@lily-bearing.com](mailto:lilybearing@lily-bearing.com)

Part  
Number

HM1025B GEAR MITER  
Gears