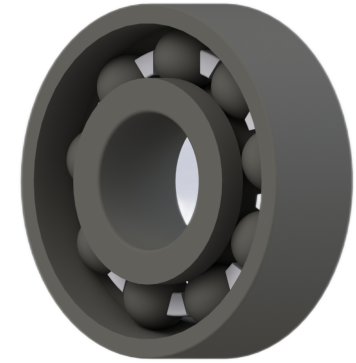


LILY BEARING



b:	25°		Contact Angle
R _{3,4} :	min 0.6	mm	Chamfer Dimension
R _{1,2} :	min 1.5	mm	Chamfer Dimension
D1:	164.6	mm	Shoulder Dia Of Outer Ring
d1:	145.4	mm	Shoulder Dia Of inner Ring
a:	48.3	mm	Distance From Side Face To Pressure Point

LILY[®]

SHANGHAI LILY BEARING LIMITED

Email: lilybearing@lily-bearing.com

Part
Number

CE71926SC
Ceramic Angular Contact Ball Bearings