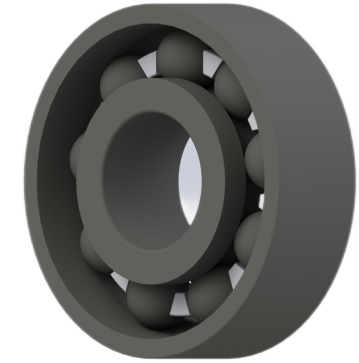


LILY BEARING



b:	30°		Contact Angle
R _{3,4} :	min	mm	Chamfer Dimension
R _{1,2} :	min 6	mm	Chamfer Dimension
D1:	607.3	mm	Shoulder Dia Of Outer Ring
d1:	547	mm	Shoulder Dia Of inner Ring
a:	215	mm	Distance From Side Face To Pressure Point

LILY[®]

SHANGHAI LILY BEARING LIMITED

Email: lilybearing@lily-bearing.com

Part
Number

CE7092SC
Ceramic Angular Contact Ball Bearings